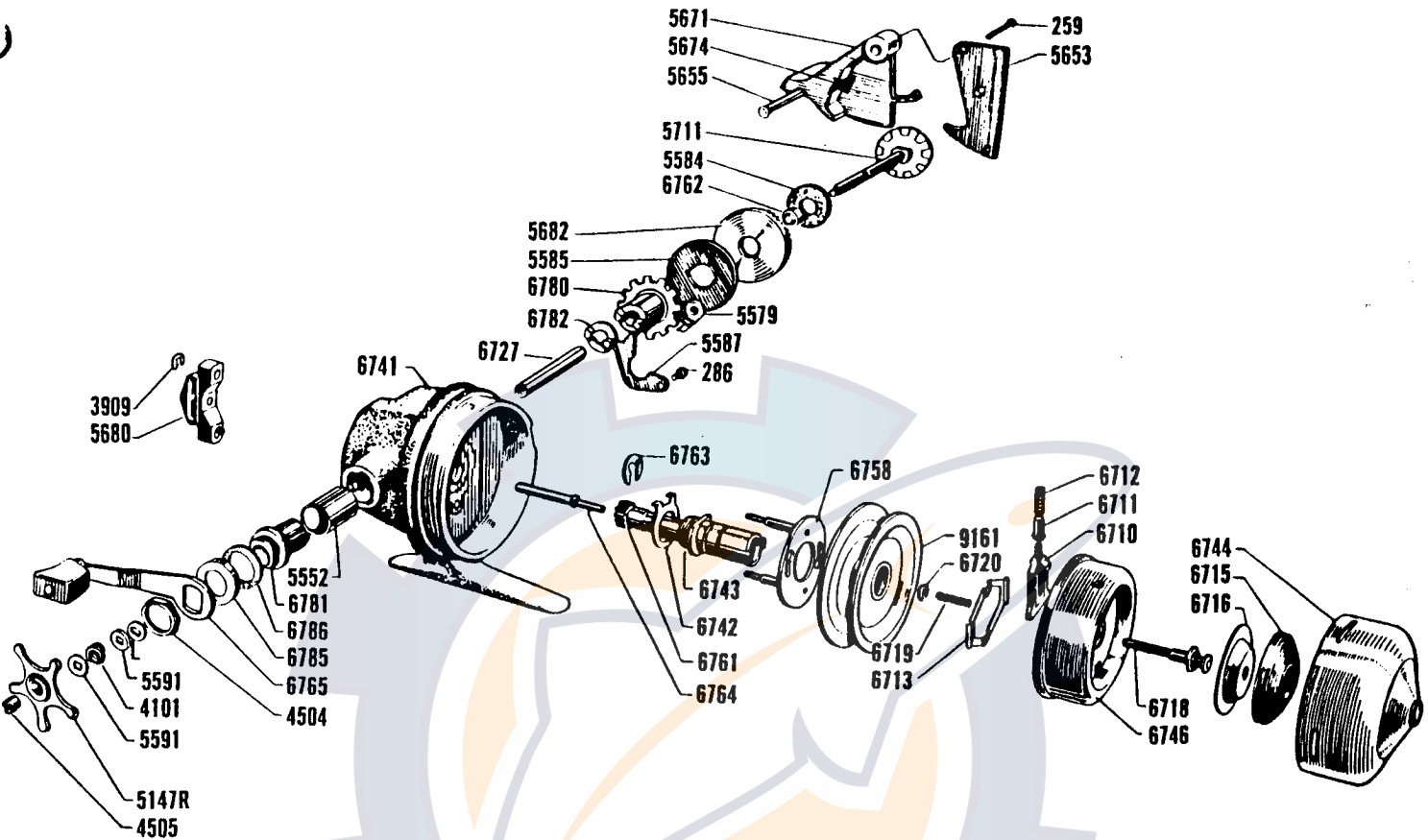




# ABU-MATIC 170



Prices subject to change without notice

No.	Part Name	Price
259	Side Plate Screw	(each) .15
286	Lock Arm Screw	(each) .10
3909	"C" Lock	(each) .10
4101	Brake Spring	.25
4504	Handle Bearing Lock Nut	.25
4505	Handle Lock Nut (left hand thread)	.15
5147	Star Wheel	1.75
5552	Oilite Bushing	.50
5579	Anti Reverse Dog	.75
5584	Base Drag Washer	.10
5585	Drag Pressure Plate	1.00
5587	Ratchet Lock Arm	.25
5591	Brake Spring Washer	(each) .10
5653	Side Plate	.75
5655	Release Trigger Bushing	.10
5671	Line Release Trigger	.75

Please specify both reel model and part numbers when ordering.

No.	Part Name	Price
5674	Release Trigger Plate	.10
5680	Oscillation Guide	.25
5682	Drive Gear with Click Spring	2.50
5711	Drive Shaft with Click Plate	1.60
6710	Line Pick Up Ejector	(each) .25
6711	Line Pick Up	(each) .60
6712	Line Pick Up Spring	(each) .10
6713	Ejector Clamp	.15
6715	Rubber Cushion	.60
6716	Cushion Plate	.60
6718	Winding Cup Shaft	.65
6719	Winding Cup Shaft Spring	.10
6720	"C" Lock	.10
6722	Drive Shaft Bushing	.25
6741	Housing	4.75
6742	Pinion Bushing Lock	.10

Please specify both reel model and part numbers when ordering.

No.	Part Name	Price
6743	Pinion Gear Bushing	1.60
6744	Bell Cover	3.00
6746	Winding Cup	5.50
6758	Spool Mount	1.50
6761	Pinion Gear	1.25
6762	Drive Gear Center Ring	.25
6763	Pinion "C" Lock	.10
6764	Throw Out Pin	.25
6765	Handle	1.75
6780	Anti Reverse Ratchet	1.00
6781	Handle Bearing	1.00
6782	Synchro Slide	.15
6785	Dust Shield	.25
6786	Felt Oil Retainer	.10
9161	(6753) Spool, (with container)	3.00
9228	Spool Container	.60

## PARTS AND SERVICE AVAILABLE AT THE FOLLOWING REGIONAL FACTORY REPAIR DEPOTS:

**FACTORY SERVICE**  
RODS, REELS AND PARTS

THE GARCIA SERVICE DEPARTMENT  
329 ALFRED AVENUE  
TEANECK, NEW JERSEY 07666

THE CONOLON CORPORATION  
1111 EAST McFADDEN STREET  
SANTA ANA, CALIFORNIA 92705

SILICOTE SALES DIVISION  
520 WEST 14th AVENUE  
OSHKOSH, WISCONSIN 54902

J. K. CLARK COMPANY  
ACO SPORTSMEN SERVICE  
13501 VAN DYKE  
DETROIT, MICHIGAN 48234

REEL SERVICE AND PARTS

NATE BUELL SERVICE CORPORATION  
5013 N.E. 42nd STREET  
PORTLAND, OREGON 97218

HARRY C. MILLER CO., INC.  
257 PARK AVENUE SOUTH  
NEW YORK, NEW YORK 10010

SHERMAN LOYD SALES COMPANY  
4737 GREENVILLE AVENUE  
DALLAS, TEXAS 75208